

Direct Replacement of VRS Units

ACRS L-Series Automatic Scraper Strainers are custom built to your specification. Available in various sizes and materials with helical scraper or linear blade / brush design, these units are the ideal choice for **Black Liquor** filtration applications.



**Helical Scraper
& Perf-plate basket**

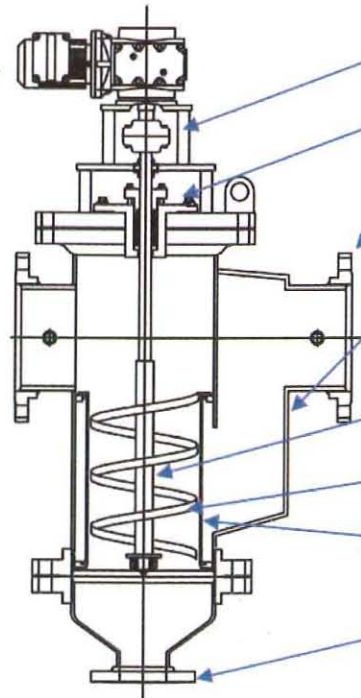


**Linear Brush
& Wedgewire basket**



**Custom
Built**

- Motor and gear reducer for rotating shaft drive.
- Automatic Scraper Motor Activation on Differential Pressure or Time Delay.
- Local / Remote control and indication.
- PLC-based control system with adjustable timers.
- Control Panel available in CS, SS, FRP & NEMA 4/12, 4X, 7X.
- Custom built to integrate into local control center system allowing for control or supervision.
- ASME Sec. VIII, Div.1, U-Stamp and CRN available.

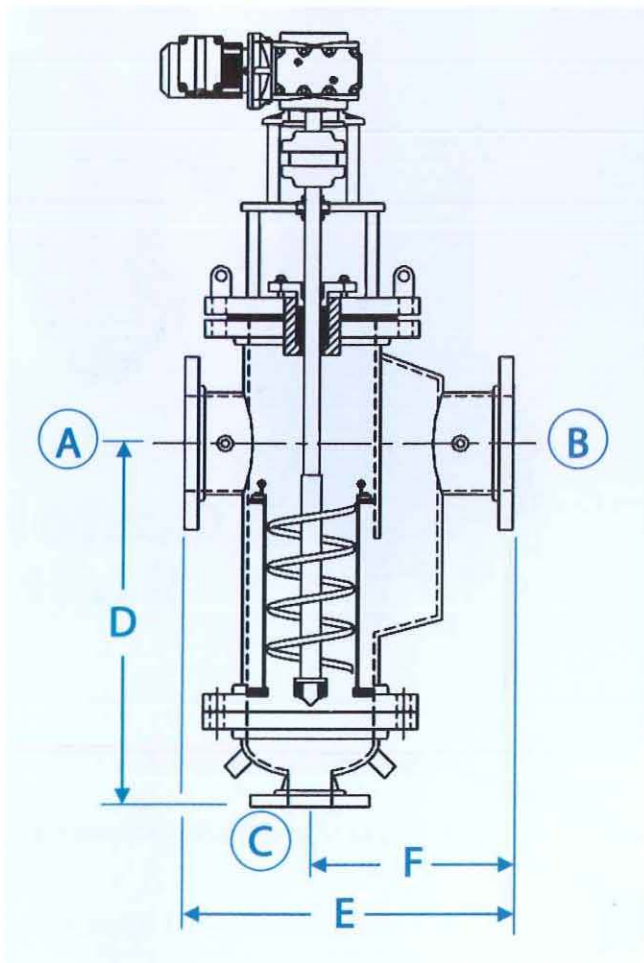


- Protective shear-coupling.
- Mechanical or Packing-Gland type seals.
- Inlet/Outlet flanges: 150# to 600# Available in SO/WN & RF/FF.
- Body available in: CS, SS304, SS316, Monel, FRP, Duplex 2205.
- Scraper shaft in: SS316, Monel 400.
- Scraper blades and/or brushes.
- Filtration Basket available in: Perforated, Wire Mesh and Wedgewire.
- Blowdown Outlet: Coupling or flange to blowdown valve or collector.

Available in two basic configurations:

**STANDARD IN-LINE UNITS
BUILT TO MATCH VRS
DIMENSIONS OR OTHER
SPECIFICATION**

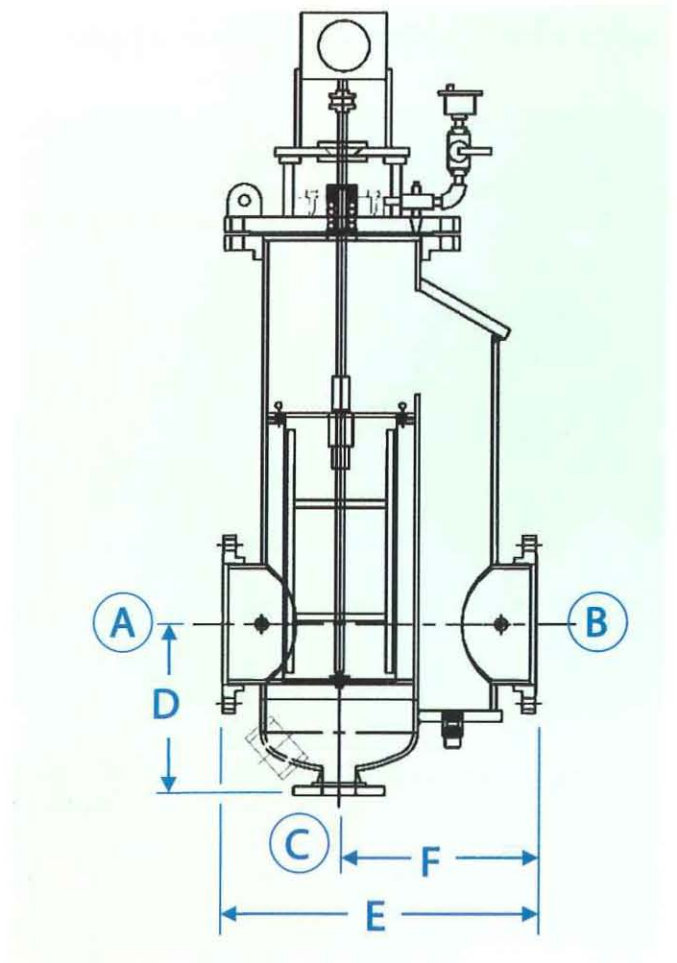
**INVERTED IN-LINE UNITS
BUILT TO SUIT YOUR
EXISTING PIPING OR OTHER
SPECIFICATION**



Typical Dimensions

Unit Size	A / B (Inlet / Outlet)	C	D	E	F
3"	3	2	9.5	11.25	5.1
4"	4	3	21.3	17.4	10.1
6"	6	3	23.1	20.75	12.75
8"	8	4	28.3	29.0	18.0
10"	10	6	29.6	34.25	21.6

Dimensions match VRS -type cast units



Typical Dimensions

Unit Size	A / B (Inlet / Outlet)	C	D	E	F
6"	6	2	19	29	17
10"	10	2	12.5	32	19
12"	12	2	13	38	22
16"	16	3	22	45	28.5
20"	20	3	22	45	28.5

Dimensions and arrangement to suit site piping.